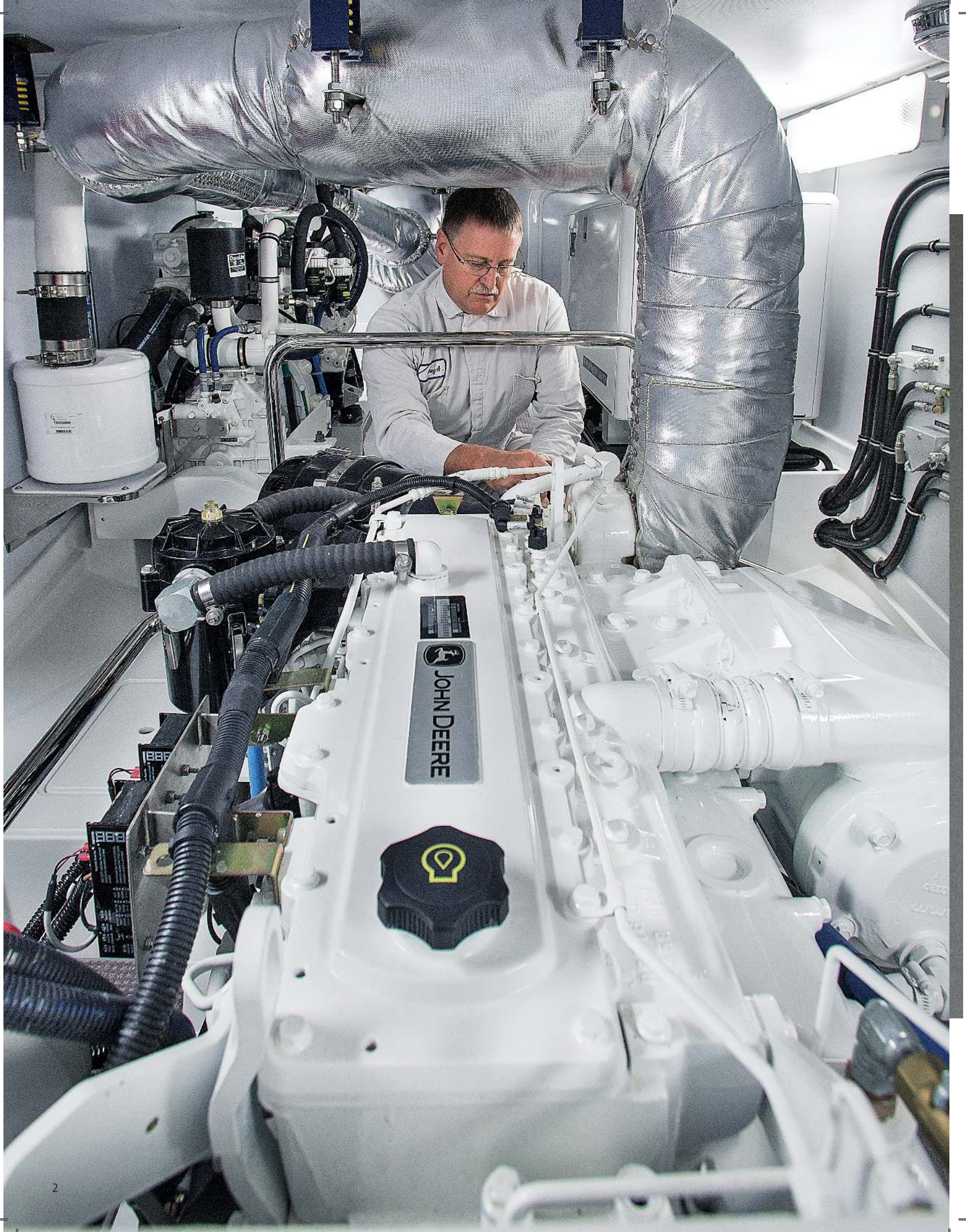


Marine Engine Accessories



JOHN DEERE





Genuine John Deere accessories

Ride the waves with confidence. John Deere engine accessories match up perfectly with the performance and reliability of John Deere marine engines.

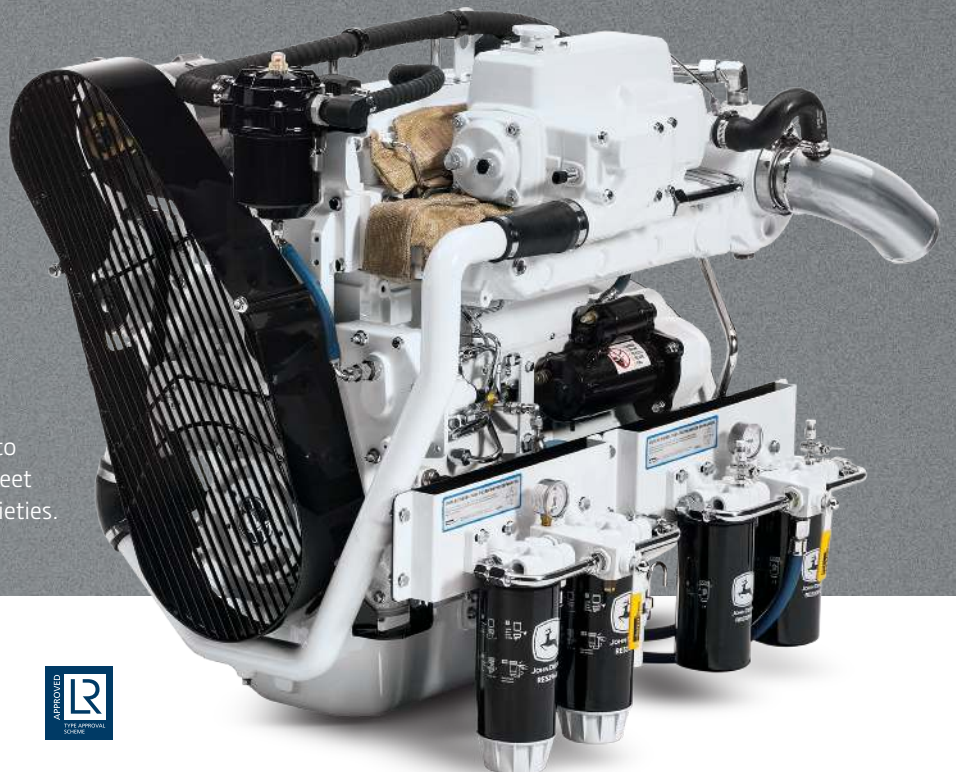
Every John Deere accessory is specially designed to provide easy installation and seamless operation. This complete approach to marine power is why more and more vessels are running with John Deere.

Talk to one of the many John Deere parts and service dealers located near waterways around the world. They can help you choose the genuine John Deere marine engine accessories you need to complete your journey or your workday in comfort and confidence.

To find the nearest John Deere engine distributor or service dealer, visit JohnDeere.com/Dealer.

Marine Classification Societies

John Deere provides a full line of marine accessories to allow the use of our engines in vessels designed to meet requirements of the various marine classification societies.



Marine Engine Accessories

Air Cleaner Kits

Matched to your engine's airflow needs, John Deere washable air filters ensure your engine is getting adequate clean air for maximum performance and long service life. Filters are easily cleaned with power sprayers or commercial parts washers.



RE528296
Washable Air Filter



RE46837
Disposable Air Filter



RE504585
Filter Cleaning Kit

PART NUMBER	DESCRIPTION	APPLICATION
RE505642	Washable Air Filter, 50.8 mm (2 in) For use with option 1709.	4045 DFM50, DFM70
RE528296	Washable Air Filter, 76 mm (3 in)	4045 TFM50, TFM75, TFM85 6068 TFM50, TFM76 (50 Hz)
RE46837	Disposable Air Filter, 50.8 mm (2 in)	4045 DFM50, DFM70
RE502014	Washable Air Filter, 101.6 mm (4 in)	4045 DFM50, TFM75 6068 SFM50, TFM50, TFM75 (propulsion), TFM76 (60 Hz)
RE504585	Filter Cleaning Kit	Cleaning solution for all washable air cleaners.



Auxiliary Drive Gear Kits

John Deere marine engines offer engine-mounted auxiliary drives in many combinations to meet your needs. These auxiliary drives are great for running hydraulic pumps, steering pumps, compressors, and other accessories. Consult your engine option code for current configuration. Use the kits below to add or convert an auxiliary drive gear to meet your needs.



RE500883
SAE B Aux Drive Kit

PART NUMBER	DESCRIPTION	APPLICATION
RE500883	SAE B Aux Drive Kit Converts 5204 to 5201, rear "B" flange.	
RE500884	SAE A Aux Drive Kit Converts 5204 to 5202, rear "A" flange.	4045 DFM50, TFM50, DFM70, TFM75, TFM85 6068 SFM50, TFM50, TFM75, TFM76
RE500885	SAE B Offset Aux Drive Kit Converts 5204 to 5203, rear offset "B" flange.	
RE69480	SAE C Aux Drive Kit Converts 5298 to 5201, left-hand side "C" flange.	
RE69482	SAE A/B Aux Drive Kit Converts 5298 to 5203, left-hand side, front "A" flange, rear "B" flange.	6135 AFM75, AFM85
RE500740	SAE B/B Aux Drive Kit Converts 5298 to 5206, left-hand side, front "B" flange, rear "B" flange.	

Closed Crankcase Ventilation Kits

Keep engine rooms free of crankcase gases and ensure clean closed crankcase ventilation (CCV) with matched John Deere CCV kits.

PART NUMBER	DESCRIPTION	APPLICATION
RE532962	Closed Crankcase Ventilation Kit	4045 DFM50, TFM50, DFM70, TFM75, TFM85 6068 SFM50, TFM50, TFM75, TFM76



RE532962
Closed Crankcase Ventilation Kit

Marine Engine Accessories

Cooling System Kits

John Deere cooling system kits are designed to integrate the engine to your vessel needs.



AT162597
Coolant Overflow Bottle



R133448
Top Tank Filler Neck Adapter Flange



RE46165
Filler Neck Assembly

PART NUMBER	DESCRIPTION	APPLICATION
AT162597	Coolant Overflow Bottle 3.78 L (4 quarts).	4045 DFM50, TFM50, DFM70, TFM75, AFM85, TFM85, SFM85 6068 SFM50, TFM50, AFM75, SFM75, TFM75, TFM76, AFM85, SFM85 6090 AFM75, SFM75, AFM85, SFM85 6135 AFM75, SFM75, AFM85, SFM85
R133448	Top Tank Filler Neck Adapter Flange To convert radiator cap connection to an auxiliary expansion tank connection. Requires welding hose bib onto adapter.	4045 DFM50, TFM50, DFM70, TFM75, AFM85, TFM85, SFM85 6068 SFM50, TFM50, AFM75, SFM75, TFM75, TFM76, AFM85, SFM85 6090 AFM75, SFM75, AFM85, SFM85
RE46165	Filler Neck Assembly Can be used when fabricating an auxiliary expansion tank.	4045 DFM50, TFM50, DFM70, TFM75, AFM85, TFM85, SFM85 6068 SFM50, TFM50, AFM75, SFM75, TFM75, TFM76, AFM85, SFM85 6090 AFM75, SFM75, AFM85, SFM85 6135 AFM75, SFM75, AFM85, SFM85
DZ104197	Coolant Level Sensor Can screw into any of the top tanks that are sensor-ready. Also comes with both steel and aluminum bungs that can be welded into the steel or aluminum tanks.	4045 AFM85, TFM85, SFM85 6068 AFM85, SFM85 6090 AFM85, SFM85 6135 AFM85, SFM85
DZ109714	Rigid Impeller Pump Kit	6135 SFM85

Exhaust System Kits

Properly route exhaust gas to your vessel's exhaust system with genuine John Deere exhaust system kits.

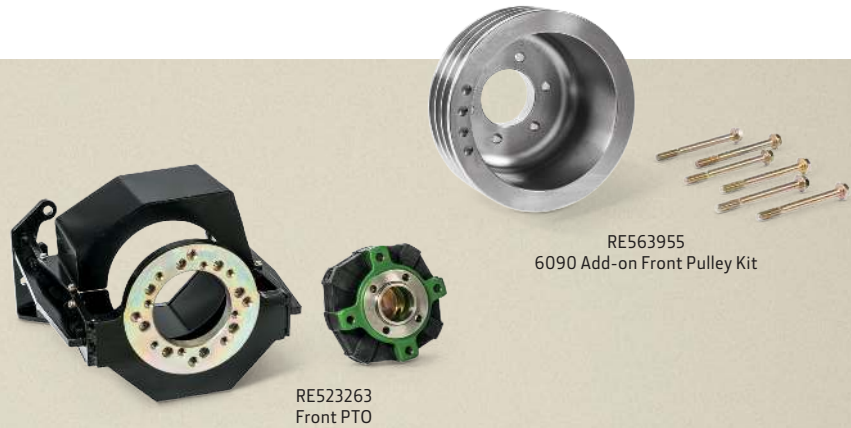
PART NUMBER	DESCRIPTION	APPLICATION
RE58443	Straight Exhaust Adapter 15.24 cm (6 in) long with 8.89 cm (3.5 in) OD exhaust outlet. Comes with Marmon flange clamp.	4045 DFM50, TFM50, DFM70, TFM75, AFM85, TFM85, SFM85 6068 SFM50, TFM50, AFM75, SFM75, TFM75, TFM76, AFM85, SFM85 6090 AFM75, AFM85
T151881	Exhaust Elbow Gasket for Dry Elbow Flange	4045 DFM50, TFM50, DFM70, TFM75, AFM85, TFM85, SFM85 6068 SFM50, TFM50, TFM75, TFM76, AFM85, SFM85 6090 AFM85
DZ104193	Exhaust Gas Temperature Sensor Kit	4045 AFM85, TFM85, SFM85 6068 AFM85, SFM85 6090 AFM85, SFM85 6135 AFM85, SFM85



RE58443
Straight Exhaust Adapter

Power Takeoff Kits

Add-on pulleys and front power takeoff (PTO) units drive auxiliary equipment, such as hydraulic pumps and firefighting pumps. They are sized and aligned to supply maximum power.



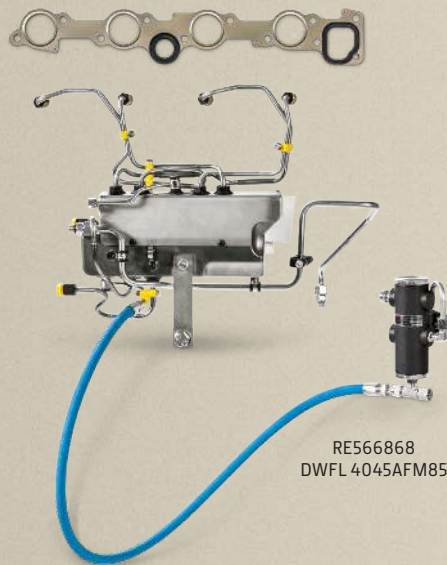
PART NUMBER	DESCRIPTION	APPLICATION
DZ10846	6068 Add-On Front Pulley Kit Two 1.27 cm (0.5 in) v-belt grooves on 15.24 cm (6 in) diameter pulley. Comes with mounting hardware.	6068 AFM75, SFM75, AFM85, SFM85
RE553944	6090 Add-On Front Pulley Kit for 6090 Propulsion Three A/B combo v-belt grooves on 20.32 cm (8 in) diameter pulley. Comes with mounting hardware.	6090 AFM75, SFM75, AFM85, SFM85
RE563955	6090 Add-On Front Pulley Kit for 6090 Gen-Set Three A/B combo v-belt grooves on 20.32 cm (8 in) diameter pulley. Comes with mounting hardware.	
RE523263	Front PTO for Gen-Set 400 ft-lb torque capacity. Does not include electric clutch. Accommodates either a 2-bolt or 4-bolt mounting. Maximum engagement speed is 1200 rpm. For use on 4045AFM85 and 4045TFM85 gen-sets with option 1333 front pulley. (Does not work with option 1328.) Must use wide coolant tube.	4045 DFM70, TFM75, AFM85, TFM85
RE523264	Front PTO for Propulsion 400 ft-lb torque capacity. Does not include electric clutch. Accommodates either a 2-bolt or 4-bolt mounting. Maximum engagement speed is 1200 rpm. For use on 4045AFM85 and 4045SFM85 propulsion with option 1330 front pulley. (Does not work with option 1324.) Must use wide coolant tube.	4045 AFM85, SFM85 6068 TFM75, TFM76



Fuel and Oil System Kits

For vessels that need to meet stringent requirements, such as type approval, John Deere offers double-wall fuel line (DWFL) kits, duplex filtration, and metal parts kits for fuel and oil systems.

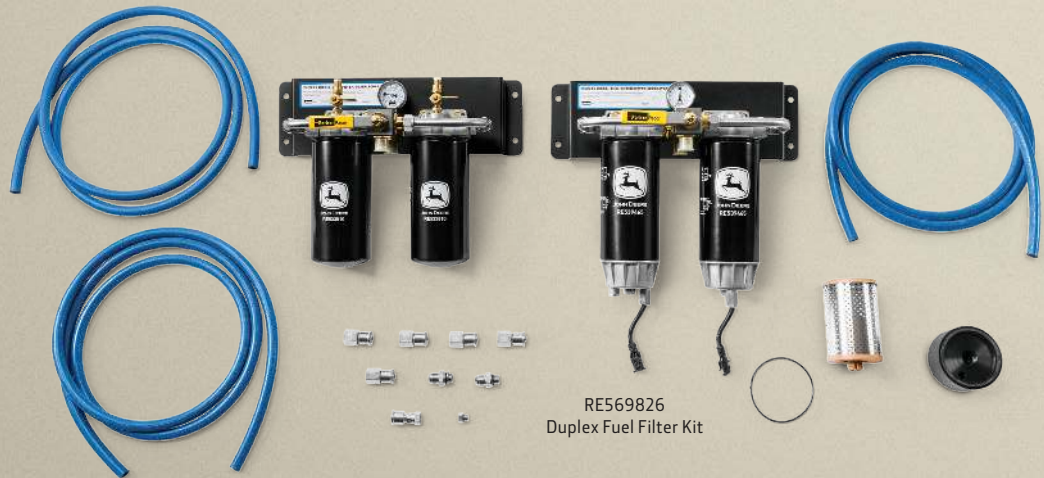
PART NUMBER	DESCRIPTION	APPLICATION
RE529063	DWFL 4045TFM75	4045 TFM75
RE566864	DWFL 4045TFM85	4045 TFM85
RE528046	DWFL 6068TFM76	6068 TFM76
RE566868	DWFL 4045AFM85, 4045SFM85 4045AFM85 requires installation of Racor low-pressure fuel system (DZ112110 or DZ112111).	4045 AFM85, SFM85
RE529556	DWFL 6068SFM50 & 6068TFM75	6068 SFM50, TFM75
DZ10257	DWFL 6068AFM75/85 & 6068SFM75/85 Must select starter option 30AG or 3090.	6068 AFM75, SFM75, AFM85, SFM85
RE572105	DWFL 6090AFM75/85 & 6090SFM75/85	6090 AFM75, SFM75, AFM85, SFM85
DZ112110	Racor Low-Pressure Fuel System, 12-volt Optional fuel system for 4045AFM85 engines where Marine Classification Society approval is required or when duplex filtration is required.	4045 AFM85
DZ112111	Racor Low-Pressure Fuel System, 24-volt Optional fuel system for 4045AFM85 engines where Marine Classification Society approval is required or when duplex filtration is required.	



RE566868
DWFL 4045AFM85



DZ112110
Racor Low-Pressure
Fuel System, 12-volt



RE569826
Duplex Fuel Filter Kit

PART NUMBER	DESCRIPTION	APPLICATION
RE569826	Duplex Fuel Filter Kit Use on 4045AFM85 requires installation of Racor low-pressure fuel system (DZ112110 or DZ112111). Use of duplex fuel filter kit on 6135HFM, 6135AFM, or 6135SFM requires adapter (DZ101225).	4045 AFM85, SFM85 6068 AFM85, SFM85 6090 HFM85, AFM85, SFM85 6135 HFM85, AFM85, SFM85
DZ101225	Duplex Fuel Filter Kit Adapter Adapter required when using duplex fuel filter kit RE569826 on 6135HFM, 6135AFM, or 6135SFM marine engines.	6135 HFM85, AFM85, SFM85
RE569330	Metal Fuel System Kit For use when required in classed and inspected vessels.	4045 DFM50, TFM50, DFM70, TFM75 6068 SFM50, TFM50, TFM75, TFM76
RE564160	Metal WIF Sensor For use when required in classed and inspected vessels.	4045 AFM85, SFM85 6068 AFM85, SFM85 6090 AFM85, SFM85 6135 AFM85, SFM85
AR104650	Fuel Return Line	4045 AFM85, TFM85, SFM85 6068 AFM75, SFM75, AFM85, SFM85
RE554935	Metal Oil Filter Cap For use when required in classed and inspected vessels.	6090 AFM75, SFM75, AFM85, SFM85



Transmission Sensors

John Deere offers transmission sensors for monitoring marine gear operating conditions. When used with John Deere Generation II Marine Electronics, the sensors are calibrated for their respective gauges and provide seamless installation.

PART NUMBER	DESCRIPTION	APPLICATION
RE537637	Transmission Temperature Sensor	4045 AFM85, TFM85, SFM85 6068 AFM85, SFM85 6090 AFM85, SFM85 6135 AFM85, SFM85
RE581543	Transmission Pressure Sensor	



RE537637
Transmission Temperature Sensor

Marine Engine Accessories



Insulation Blanket Kits

Keep surface temperatures down for operator comfort and meet classification requirements with John Deere exhaust insulation blanket kits.

PART NUMBER	DESCRIPTION	APPLICATION
RE527644	Insulation Blanket Kit	4045 DFM70, TFM75
RE527645	Insulation Blanket Kit	6068 SFM50, TFM75, TFM76
RE567214	Insulation Blanket Kit	4045 TFM85
RE567315	Insulation Blanket Kit	4045 AFM85
RE538833	Insulation Blanket Kit	6068 AFM75, SFM75, AFM85, SFM85
RE544322	Insulation Blanket Kit	6090 AFM75, SFM75, AFM85, SFM85
RE544848	Insulation Blanket Kit	6135 AFM75, SFM75, AFM85, SFM85



RE567315
Insulation Blanket Kit

Engine Mounting and Isolation Kits

Dampen the noise and vibration of your engine with fully engineered isolation kits. These isolators are purposely designed for optimal isolation efficiencies with John Deere marine engines.

PART NUMBER	DESCRIPTION	APPLICATION
RE50955	Front Engine Support Bracket Kit One piece. Requires modification of belt guard.	4045 DFM70, TFM75, AFM85, TFM85, SFM85 6068 AFM75, SFM50, SFM75, TFM75, TFM76, AFM85, SFM85
RE502721	Front Engine Support Bracket Kit Two pieces with hardware.	4045 DFM50, TFM50, DFM70, TFM75, AFM85, TFM85 6068 SFM50, TFM50, AFM75, SFM75, TFM75, TFM76, AFM85, SFM85
RE552880	Front Engine Support Bracket Kit	6090 AFM75, SFM75, AFM85, SFM85
RE49358	Vibration Isolator Kit	4045 DFM50, TFM50, DFM70, TFM75, TFM85
RE52998	Vibration Isolator Kit	6068 SFM50, TFM50, TFM75, TFM76
DZ100311*	Vibration Isolator Kit Four isolators with hardware.	4045 AFM85
DZ100314*	Vibration Isolator Kit Four isolators with hardware.	6068 AFM75, SFM75, AFM85, SFM85
DZ100316*	Vibration Isolator Kit Four isolators with hardware.	6090 AFM75, SFM75, AFM85, SFM85
DZ100318*	Vibration Isolator Kit Four isolators with hardware.	6135 AFM85, SFM85

*Designed to manage thrust loads of marine propulsion applications.



DZ100316
Vibration Isolator Kit



RE50955
Front Engine Support Bracket Kit



RE502721
Front Engine Support Bracket Kit



RE552880
Front Engine Support Bracket Kit



RE52998
Vibration Isolator Kit

Electronics, Instrumentation, and Control Kits

John Deere electronic kits are engineered to work in harsh marine environments. Instrumentation is easy to read, so you always know what is happening with your engine. Harnesses are designed with weatherproof connections and plug-and-play installation to save you time and money.



RE503963
Marine Analog Throttle

Universal Electronic Accessories

PART NUMBER	DESCRIPTION	APPLICATION
DZ101715	DG14 Display (PV101 replacement) Must be installed with DG14 Retrofit Harness DZ101719 when replacing a PV101.	4045 DFM70, TFM75, AFM85, TFM85, SFM85 6068 AFM75, SFM75, TFM76 AFM85, SFM85 6090 AFM75, SFM75, AFM85, SFM85 6135 AFM75, SFM75, AFM85, SFM85
DZ101719	DG14 Retrofit Harness Allows the installation of a DG14 in place of a PV101.	4045 DFM70, TFM75, AFM85, TFM85, SFM85 6068 AFM75, SFM75, TFM76 AFM85, SFM85 6090 AFM75, SFM75, AFM85, SFM85 6135 AFM75, SFM75, AFM85, SFM85
RE503963	Marine Analog Throttle	4045 TFM75, AFM85, TFM85, SFM85 6068 SFM50, AFM75, SFM75, TFM75, TFM76, AFM85, SFM85 6090 AFM75, SFM75, AFM85, SFM85 6135 AFM75, SFM75, AFM85, SFM85
AT157679	Transient Voltage Protection (TVP), 12-volt Used on systems without alternators.	4045 TFM75, AFM85, TFM85, SFM85 6068 SFM50, AFM75, SFM75, TFM75, TFM76, AFM85, SFM85 6090 AFM75, SFM75, AFM85, SFM85 6135 AFM75, SFM75, AFM85, SFM85
AT163022	Transient Voltage Protection (TVP), 24-volt Used on systems without alternators.	4045 TFM75, AFM85, TFM85, SFM85 6068 SFM50, AFM75, SFM75, TFM75, TFM76, AFM85, SFM85 6090 AFM75, SFM75, AFM85, SFM85 6135 AFM75, SFM75, AFM85, SFM85
RE52665	Kickback Start and Transfer Pump Relay, 12-volt	4045 TFM75, AFM85, TFM85, SFM85 6068 SFM50, AFM75, SFM75, TFM75, TFM76, AFM85, SFM85 6090 AFM75, SFM75, AFM85, SFM85 6135 AFM75, SFM75, AFM85, SFM85
RE505214	Kickback Start and Transfer Pump Relay, 24-volt	4045 TFM75, AFM85, TFM85, SFM85 6068 SFM50, AFM75, SFM75, TFM75, TFM76, AFM85, SFM85 6090 AFM75, SFM75, AFM85, SFM85 6135 AFM75, SFM75, AFM85, SFM85

Marine Electronics and Instrumentation for Mechanical Engines

PART NUMBER	DESCRIPTION	APPLICATION
RE555894	Instrument Panel, Main Station 12-volt	4045 DFM50, TFM50, DFM70 6068 TFM50
RE555897	Instrument Panel, Main Station 24-volt	4045 DFM50, TFM50, DFM70 6068 TFM50
RE555893	Instrument Panel, Flybridge 12-volt Includes "Y" harness and twin-station gauge senders.	4045 DFM50, TFM50, DFM70 6068 TFM50
RE555896	Instrument Panel, Flybridge 24-volt Includes "Y" harness and twin-station gauge senders.	4045 DFM50, TFM50, DFM70 6068 TFM50
RE502828	Engine Wiring Harness, 12-volt	4045 DFM50, TFM50, DFM70 6068 TFM50
RE502829	Engine Wiring Harness, 24-volt	4045 DFM50, TFM50, DFM70 6068 TFM50
RE50498	Extension Harness, Engine-to-Instrument Panel, 6 m (20 ft)	4045 DFM50, TFM50, DFM70 6068 TFM50
RE50499	Extension Harness, Engine-to-Instrument Panel, 9 m (30 ft)	4045 DFM50, TFM50, DFM70 6068 TFM50
RE504936	Wiring Extension Kit, 3 m (10 ft) Main panel to flybridge panel (for use only with RE549094 and RE549485 panels).	4045 DFM50, TFM50, DFM70 6068 TFM50
RE504937	Wiring Extension Kit, 9 m (30 ft) Main panel to flybridge panel (for use only with RE549094 and RE549485 panels).	4045 DFM50, TFM50, DFM70 6068 TFM50

Legacy Marine Electronics and Instrumentation Systems

PART NUMBER	DESCRIPTION	APPLICATION
R528576	Metal ECU Case For use when Marine Classification Certification is required.	4045 TFM75 6068 TFM76
RE503687	Transition Harness to Main Station Extension Harness, 3 m (10 ft)	4045 TFM75, AFM85, TFM85 6068 SFM50, AFM75, SFM75, TFM75, TFM76, AFM85, SFM85
RE503688	Transition Harness to Main Station Extension Harness, 9 m (30 ft)	6090 AFM75, SFM75, AFM85, SFM85 6135 AFM75, SFM75, AFM85, SFM85
RE534576	Transition Harness, Engine to Main Station, 12-volt, 6 m (20 ft)	
RE534577	Transition Harness, Engine to Main Station, 24-volt, 6 m (20 ft) Replaces RE522728.	
RE534578	Transition Harness, Engine to Main Station, 12-volt, 12 m (39 ft)	4045 TFM75, AFM85, TFM85 6068 SFM50, AFM75, SFM75, TFM75, TFM76, AFM85, SFM85
RE534579	Transition Harness, Engine to Main Station, 24-volt, 12 m (39 ft)	6090 AFM75, SFM75, AFM85, SFM85 6135 AFM75, SFM75, AFM85, SFM85
RE543998	Transition Harness, Engine to Main Station, 12-volt, 2 m (6 ft)	
RE543999	Transition Harness, Engine to Main Station, 24-volt, 2 m (6 ft)	



RE543998
Transition Harness, Engine to Main Station,
12-volt, 2 m (6 ft)



R528576
Metal ECU Case

Electronics, Instrumentation, and Control Kits continue on next page

Electronics, Instrumentation, and Control Kits continued from previous page

Generation II Marine Electronics and Instrumentation Systems

PART NUMBER	DESCRIPTION	APPLICATION
DZ103938	Retrofit Main Panel Harness Allows the installation of the Generation II Marine Panels with Legacy Electronics.	4045 TFM75, AFM85, TFM85, SFM85 6068 AFM75, SFM75, TFM76, AFM85, SFM85 6090 AFM75, SFM75, AFM85, SFM85 6135 AFM75, SFM75, AFM85, SFM85
DZ103856	Main Station Panel, 12-volt & 24-volt	4045 TFM75, AFM85, TFM85, SFM85 6068 AFM75, SFM75, TFM76, AFM85, SFM85
DZ103857	Remote Station Panel, 12-volt & 24-volt	6090 AFM75, SFM75, AFM85, SFM85 6135 AFM75, SFM75, AFM85, SFM85
DZ103869	Main Station to Remote Station Interconnect Harness, 4.5 m (15 ft)	4045 TFM75, AFM85, TFM85, SFM85
DZ103868	Main Station to Remote Station Interconnect Harness, 9 m (30 ft)	6068 AFM75, SFM75, TFM76, AFM85, SFM85 6090 AFM75, SFM75, AFM85, SFM85
DZ103870	Main Station to Remote Station Interconnect Harness (Cut-to-length), 30.5 m (100 ft)	6135 AFM75, SFM75, AFM85, SFM85
DZ104169	Power Relay Module, 12-volt	4045 TFM75, AFM85, TFM85, SFM85 6068 AFM75, SFM75, TFM76, AFM85, SFM85
DZ104170	Power Relay Module, 24-volt	6090 AFM75, SFM75, AFM85, SFM85 6135 AFM75, SFM75, AFM85, SFM85
DZ108502	Percent Load Gauge, 51 mm (2 in)	4045 TFM75, AFM85, TFM85, SFM85 6068 AFM75, SFM75, TFM76, AFM85, SFM85 6090 AFM75, SFM75, AFM85, SFM85 6135 AFM75, SFM75, AFM85, SFM85
DZ108503	Exhaust Temperature Gauge, 51 mm (2 in)	4045 AFM85, TFM85, SFM85
DZ108504	Gear Oil Pressure Gauge, 51 mm (2 in)	6068 AFM85, SFM85
DZ108505	Gear Oil Temperature Gauge, 51 mm (2 in)	6090 AFM85, SFM85 6135 AFM85, SFM85
DZ108506	CAN and Analog Fuel Level Gauge, 51 mm (2 in)	4045 TFM75, AFM85, TFM85, SFM85
DZ108507	CAN and Analog DEF Level Gauge, 51 mm (2 in)	6068 AFM75, SFM75, TFM76, AFM85, SFM85 6090 AFM75, SFM75, AFM85, SFM85 6135 AFM75, SFM75, AFM85, SFM85



DZ103856
Main Station Panel,
12-volt & 24-volt



DZ103857
Remote Station Panel,
12-volt & 24-volt



DZ103938
Retrofit Main Panel Harness



DZ104169
Power Relay Module,
12-volt



DZ108502
Percent Load Gauge,
51 mm (2 in)



DZ108503
Exhaust Temperature
Gauge, 51 mm (2 in)



DZ108504
Gear Oil Pressure Gauge,
51 mm (2 in)



DZ108505
Gear Oil Temperature
Gauge, 51 mm (2 in)



DZ108506
CAN and Analog Fuel
Level Gauge, 51 mm (2 in)



DZ108507
CAN and Analog DEF
Level Gauge, 51 mm (2 in)

PART NUMBER	DESCRIPTION	APPLICATION
DZ114406	Propulsion Sensor Package	4045 AFM85, TFM85, SFM85 6068 AFM85, SFM85 6090 AFM85, SFM85 6135 AFM85, SFM85
DZ110508	Engine to ECU Interconnect Harness Kit, 1 m (3 ft)	4045 AFM85, SFM85 6068 AFM85, SFM85 6090 AFM85, SFM85 6135 AFM85, SFM85
DZ110509	Engine to ECU Interconnect Harness Kit, 3 m (10 ft)	4045 AFM85, SFM85 6068 AFM85, SFM85 6090 AFM85, SFM85 6135 AFM85, SFM85
DZ111685	ECU to Main Station Interconnect Harness, 1.5 m (5 ft)	4045 AFM85, SFM85 6068 AFM85, SFM85 6090 AFM85, SFM85 6135 AFM85, SFM85
DZ111686	ECU to Main Station Interconnect Harness, 4.5 m (15 ft)	4045 AFM85, SFM85 6068 AFM85, SFM85 6090 AFM85, SFM85 6135 AFM85, SFM85
DZ111687	ECU to Main Station Interconnect Harness, 9 m (30 ft)	4045 AFM85, SFM85 6068 AFM85, SFM85 6090 AFM85, SFM85 6135 AFM85, SFM85
DZ111688	ECU to Main Station Interconnect Harness, 15 m (50 ft)	4045 AFM85, SFM85 6068 AFM85, SFM85 6090 AFM85, SFM85 6135 AFM85, SFM85
DZ111689	ECU to Main Station Interconnect Harness (Cut-to-length), 35 m (115 ft)	4045 AFM85, SFM85 6068 AFM85, SFM85 6090 AFM85, SFM85 6135 AFM85, SFM85
DZ107498	Gen-Set Adapter Harness	4045 AFM85, SFM85 6068 AFM85, SFM85 6090 AFM85, SFM85 6135 AFM85, SFM85



DZ111685
ECU to Main Station Interconnect Harness,
1.5 m (5 ft)



DZ110508
Engine to ECU Interconnect Harness Kit,
1 m (3 ft)



DZ107498
Gen-Set Adapter Harness

Marine engine service parts

Any Engine. Any Age. Any Budget.

Get exactly the right part at the right price — for as long as you own your engine — no matter its brand or your budget. With our extensive selection of maintenance parts, from water pumps to fuel conditioners, we have everything you need to stay up and running.

That's the value of choice and you'll only find it at John Deere.

See your John Deere service dealer or engine distributor for the parts you need, or visit JohnDeere.com/Parts.

John Deere PowerAssist™ App

Retrieve serial-specific information for your John Deere engine. Just scan or enter your John Deere engine serial number to access option codes, manuals, ECU information, and much more. Download this free app today!



John Deere Fuel Filters

When it comes to your fuel, water is the number one enemy. That's why John Deere fuel filters are not only designed to trap water, they're designed to repel it. Our filters have coated media that help keep water out, preventing rust and microbial growth that could damage your fuel and lead to reduced fuel economy.

We offer filters to fit all John Deere engine models. The list below represents only a few. Talk with your authorized John Deere dealer to learn more about the full line of John Deere filters.

PART NUMBER	DESCRIPTION	APPLICATION
RE62425	Primary Fuel Filter, 150 mm (6 in), 150 micron	4045 DFM50, TFM50 6068 TFM50
RE62420	Final Fuel Filter, 150 mm (6 in), 5 micron	4045 DFM50, TFM50 6068 SFM50, TFM50, TFM75
RE503747	Final Fuel Filter, 71 mm (2.8 in), 5 micron	4045 DFM50, TFM50
RE521248	Primary Fuel Filter, 109 mm (4.3 in), 10 micron	4045 DFM70, TFM75
RE520842	Final Fuel Filter, 109 mm (4.3 in), 2 micron	4045 DFM70, TFM75
RE515368	Primary Fuel Filter, 150 mm (6 in), 30 micron	6068 SFM50, TFM75
RE521540	Primary Fuel Filter, 150 mm (6 in), 10 micron	4045 TFM85, AFM85
RE525523	Kit, Primary and Final Fuel Filters, 10 & 2 micron	6068 AFM75, SFM75
RE527961	Kit, Primary and Final Fuel Filters, 10 & 2 micron	4045 SFM85 6068 AFM85, SFM85 6090 AFM85, SFM85
RE533910	Final Fuel Filter, 2 micron	6135 AFM85, SFM85
RE532952	Primary Fuel Filter, 10 micron	6135 AFM85, SFM85



RE533910
Final Fuel Filter, 2 micron



RE532952
Primary Fuel Filter, 10 micron

John Deere Engine Oil

John Deere engine oils have evolved to keep up with changing technologies. Cutting-edge chemistry and countless reformulations have resulted in the most advanced oils we've ever produced. The list below only represents a few. Reference the engine operator's manual, or contact your John Deere dealer about the engine oil that's right for you and your engine.

PART NUMBER	DESCRIPTION	SIZE
TY26800	Torq-Gard™ 15W-40	3.8 L (1 U.S. gal)
TY26801	Torq-Gard 15W-40	18.9 L (5 U.S. gal)
TY26802	Torq-Gard 15W-40	209 L (55 U.S. gal)
TY26673	Plus-50™ II 15W-40	3.8 L (1 U.S. gal)
TY26679	Plus-50 II 15W-40	18.9 L (5 U.S. gal)
TY26677	Plus-50 II 15W-40	113.5 L (30 U.S. gal)



TY26800
Torq-Gard 15W-40

TY26679
Plus-50 II 15W-40

John Deere Oil Filters

Dirty oil will slow you down, leading to less productivity and shorter service intervals. John Deere oil filters are expertly engineered to catch small particles like dirt and other contaminants before they pollute your engine.

We offer filters to fit all John Deere engine models. The list below represents only a few. Talk with your authorized John Deere dealer to learn more about the full line of John Deere filters.

PART NUMBER	DESCRIPTION	APPLICATION
RE504836	Oil Filter	4045 DFM70, TFM75, TFM85, AFM85, SFM85 6068 SFM50, TFM75, SFM75, AFM85, SFM85
RE509672	Oil Filter	6090 AFM75, SFM75, AFM85, SFM85
RE59754	Oil Filter	4045 DFM50, TFM50 6068 TFM50
RE57394	Oil Filter	6090 AFM75, SFM75, AFM85, SFM85
RE561823	Oil Filter	6135 AFM85, SFM85
RE572785	Oil Filter	6135 AFM85, SFM85



RE59754
Oil Filter

RE57394
Oil Filter

Fluid Analysis Kits

When used regularly, John Deere Fluid Analysis Kits provide early warning of any changes in the engine or other equipment that may require service.

PART NUMBER	DESCRIPTION	APPLICATION
AT346594	Oil Analysis Kit	All engine models
TY26873	Coolant Analysis Kit	
AT180344	Fuel Analysis Kit	



AT346594
Oil Analysis Kit

John Deere Antifreeze/Coolant

Cool-Gard™ II is a high-performance, long-life, heavy-duty antifreeze/coolant that protects against corrosion, deposits, and cavitation. Formulated for up to 6 years/6,000 hours* of high thermal and oxidation protection.

**Rating applies when complete cooling system flush is performed prior to use.*

PART NUMBER	DESCRIPTION	SIZE
TY26573	Cool-Gard II Concentrate	3.8 L (1 U.S. gal)
TY26574	Cool-Gard II Concentrate	209 L (55 U.S. gal)
TY26575	Cool-Gard II Pre-Mix	3.8 L (1 U.S. gal)
TY26576	Cool-Gard II Pre-Mix	9.5 L (2.5 U.S. gal)
TY26577	Cool-Gard II Pre-Mix	209 L (55 U.S. gal)
TY26578	Cool-Gard II Pre-Mix	1,249 L (330 U.S. gal tote)
TY26605	Cool-Gard II Test Strips	
TY26603	Cool-Gard II Extender	
VC76215-005	Cool-Gard II Pre-Mix	5 L (1.3 U.S. gal)
VC76215-020	Cool-Gard II Pre-Mix	20 L (5.3 U.S. gal)
VC76215-200	Cool-Gard II Pre-Mix	209 L (55 U.S. gal)



TY26573
Cool-Gard II
Concentrate

TY26575
Cool-Gard II
Pre-Mix

Zinc Anode

Sacrificial zinc anodes protect your engine's heat exchanger and charge air cooler from galvanic corrosion, which is caused when dissimilar metals are connected electrically in seawater. John Deere recommends inspecting the anode and replacing it, if necessary, every six months or 250 engine hours. See your operator's manual for more information.

PART NUMBER	DESCRIPTION	APPLICATION
RE54993	Fitting Plug with Zinc Anode	All engine models



RE54993
Fitting Plug with Zinc Anode

I NEED THE RIGHT PARTS. AT THE RIGHT PRICE. RIGHT NOW.

Whether you've got a brand new John Deere engine, one that's been working for years, or a mixed fleet — John Deere is ready to keep you up and running. You can rely on us for your choice of genuine John Deere parts, remanufactured components, and all-makes products. Contact your authorized John Deere dealer, who will recommend the best option to fit your needs.

JohnDeere.com/Parts



Worldwide locations

North America, South America, and Caribbean

John Deere Power Systems
3801 West Ridgeway Avenue
P.O. Box 5100
Waterloo, IA 50704-5100
Phone: 800-533-6446 (U.S.)
Phone: 319-292-6060 (Outside the U.S.)
Fax: 319-292-5075
Email: JDPower@JohnDeere.com

Mexico and Central America

Industrias John Deere S.A. de C.V.
Boulevard Diaz Ordaz No. 500
Garza Garcia, Nuevo Leon 66210
Mexico
Phone: +52-81-8288-1212
Fax: +52-81-8288-8284
Email: MexWeb@JohnDeere.com

Europe, Africa, Middle East, Australia, and New Zealand

John Deere Power Systems
Orléans-Saran Unit
1, rue John Deere – B.P. 11013
45401 Fleury-les-Aubrais Cedex
France
Phone: +33-2-38-82-61-19
Fax: +33-2-38-84-62-66
Email: JDMarineEngine@JohnDeere.com

Asia

John Deere Asia (Singapore) Pte. Ltd.
#06-02/03 Alexandra Point
438 Alexandra Road
119958 Singapore
Phone: +65-6879-8800
Fax: +65-6278-0363
Email: JDAsiaEngines@JohnDeere.com



This literature has been compiled for worldwide circulation. While general information, pictures and descriptions are provided, some illustrations and text may include finance, credit, insurance, product options and accessories NOT AVAILABLE in all regions. PLEASE CONTACT YOUR LOCAL DEALER OR DISTRIBUTOR, AS APPLICABLE, FOR DETAILS. John Deere reserves the right to change specification, design and price of the products described in this literature without notice. John Deere's green and yellow color schemes, the leaping deer symbol, and JOHN DEERE are trademarks of Deere & Company.

